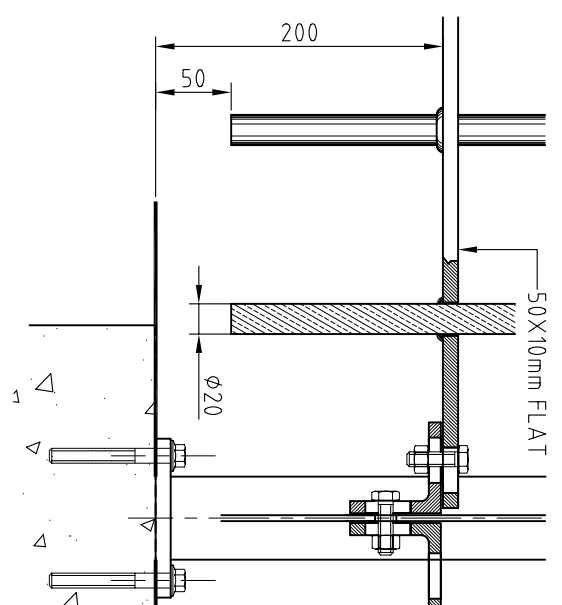


BOTTOM RAIL DETAILS
SHOWING BASEPLATE
scale 1/5



Drawing Title:	JNC Bow Top Railing Fence : Panel Height 2.4M
Project/Client:	SAMPLE DRAWING FOR INFORMATION ONLY
Drawing/Doc No.:	JNC/GP/Rail/24
Date:	28/11/02
By:	D.D.S.
App:	JNC FENCING

J.N.CUMMINS & Co.LTD
Industrial Fencing Contractors
Supply / Supply and Erection
Mayfield, Cashel, Co Tipperary
Tel: 00353 62 62214 Fax: 00353 62 62947
e-Mail info@jncfence.com
www.jncfence.com