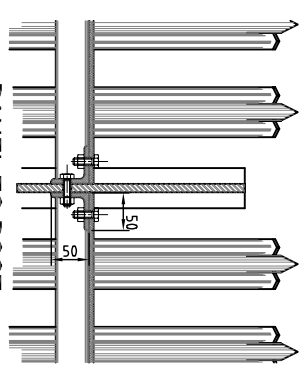
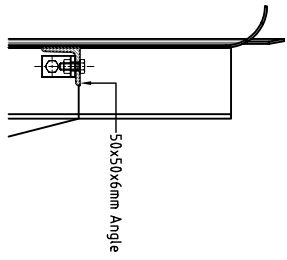
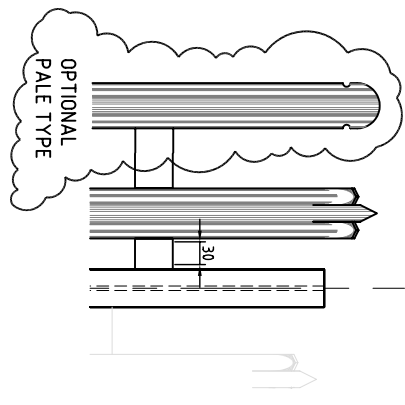
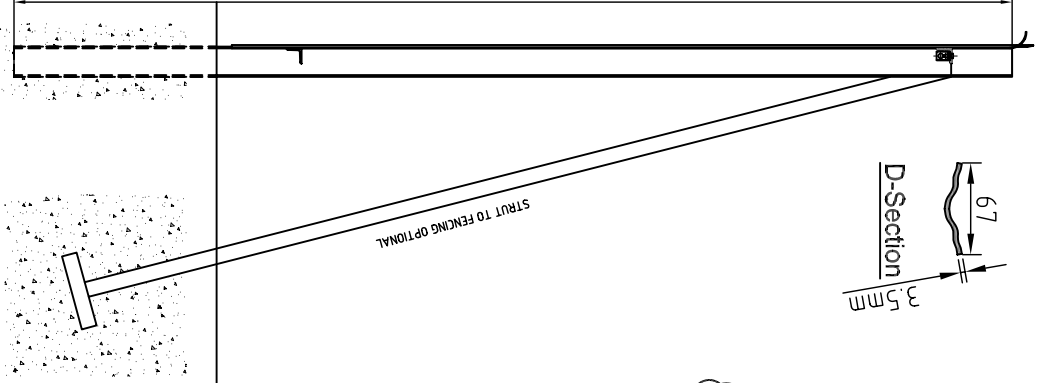
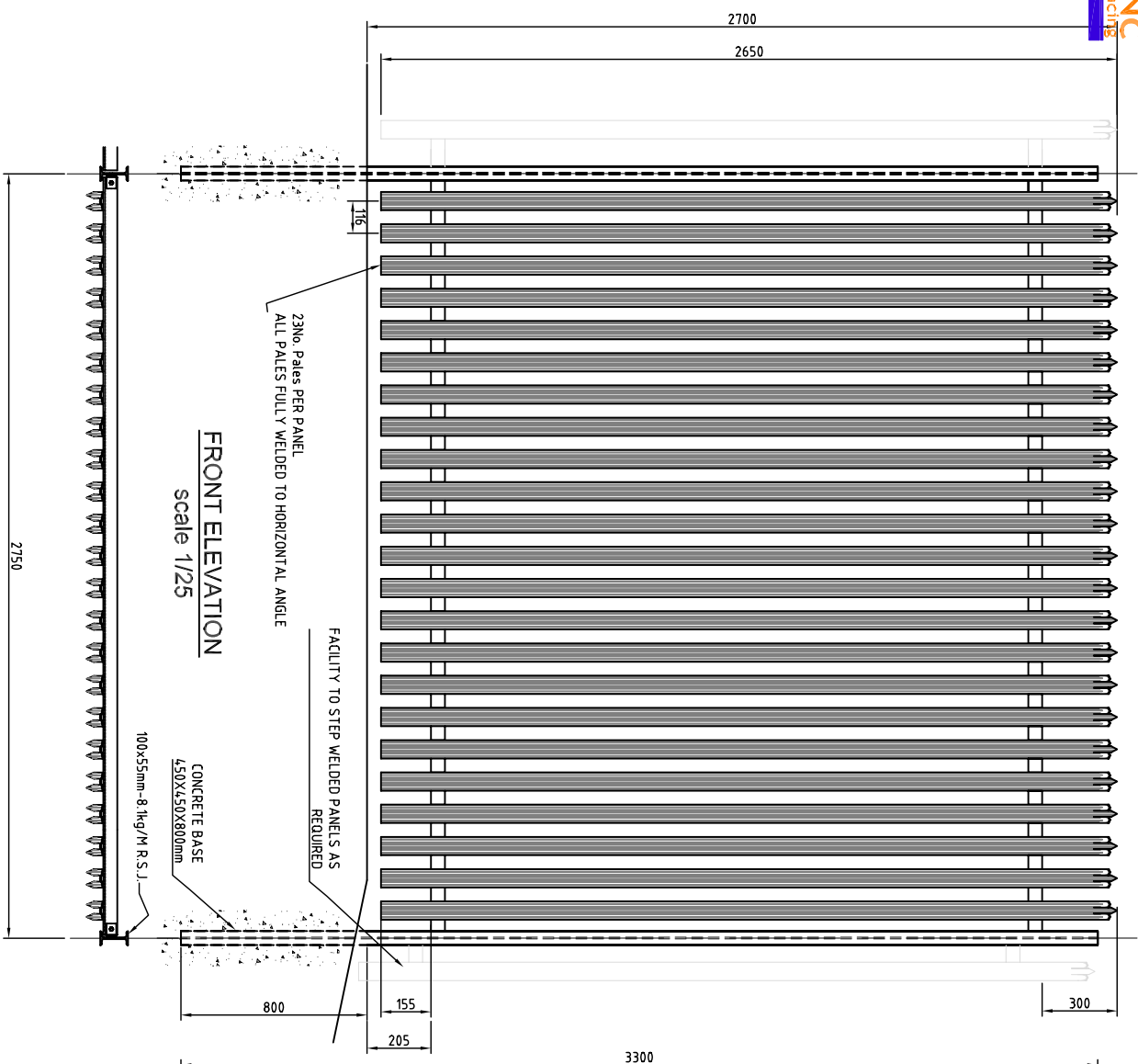


IMPORTANT: NOTE: SAMPLE DRAWING ONLY ACTUAL DIMENSION MAY CHANGE. DO NOT SCALE



FRONT ELEVATION
scale 1/25

SIDE VIEW
scale 1/25

RAIL VIEWS
scale 1/10

PANEL TO POST
scale 1/10

Drawing Title:	Typical JNC Pal Fence: H - 2.7M FOR INFORMATION ONLY
Project / Client:	SAMPLE DRAWING
Drawing/Doc No:	JNC/GP/M/127
Date:	04/11/02
By:	D.D.S.
App:	JNC FENCING

J.N. CUMMINS & Co. LTD
Industrial Fencing Contractors
Supply / Supply and Erection
Mayfield, Cashel, Co Tipperary
Tel: 00353 62 62214 Fax: 00353 62 62947
e-Mail: info@jncfence.com
www.jncfence.com