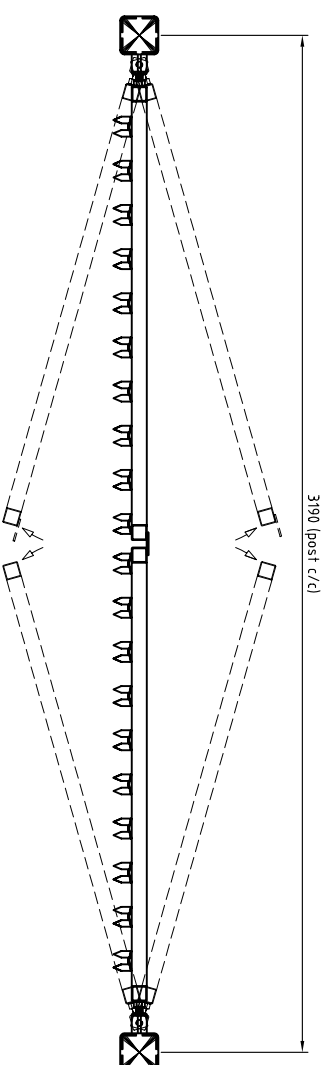
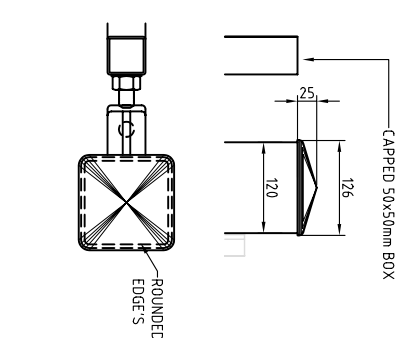


FRONT ELEVATION
scale 1/25

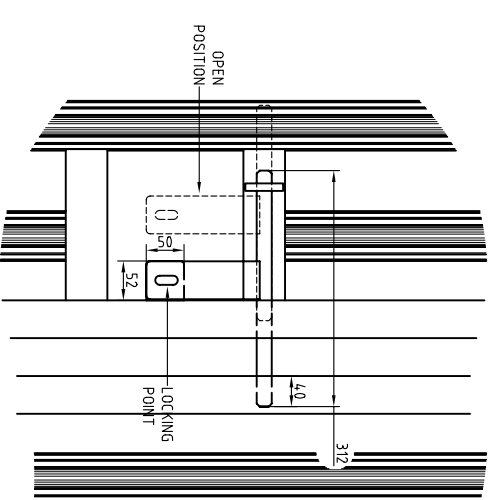


PLANVIEW
scale 1/25

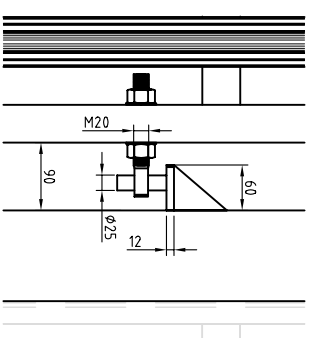
NOTE. OPTIONAL PALE TYPES AVAILABLE. See fencing Drawings Details



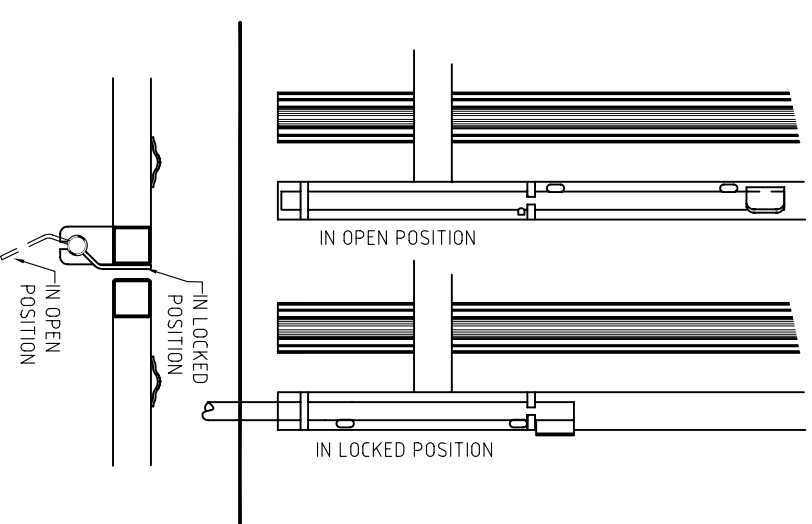
POST CAP DETAIL
scale 1/10



LOCK DETAIL
scale 1/10



HINGE DETAIL
scale 1/10



LOCK DETAIL
scale 1/10

Drawing Title:	Typical JNC Pal Gate H2.4 : W3.0M
Project/	FOR INFORMATION ONLY
Client:	SAMPLE DRAWING
Drawing/Doc No:	Ref. No. -PG13
Date:	05/11/02
By:	D.D.S.
App:	JNC FENCING



J.N. CUMMINS & CO.LTD
Industrial Fencing Contractors
Supply / Supply and Erection
Mayfield, Cashel, Co Tipperary
Tel: 00353 62 62214 Fax: 00353 62 62947
e-Mail: info@jncfence.com
www.jncfence.com