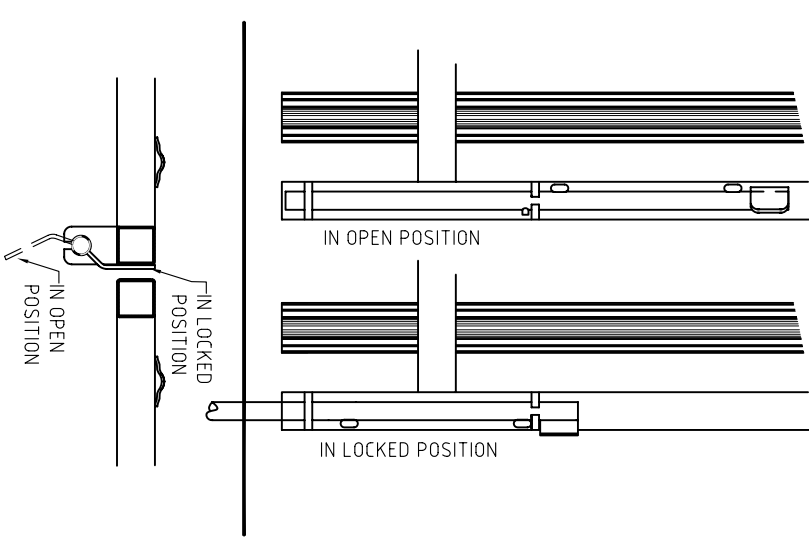
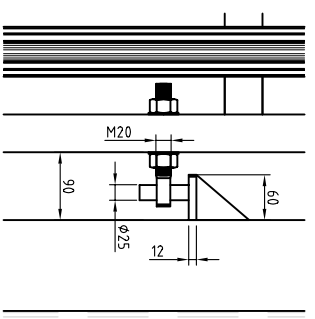
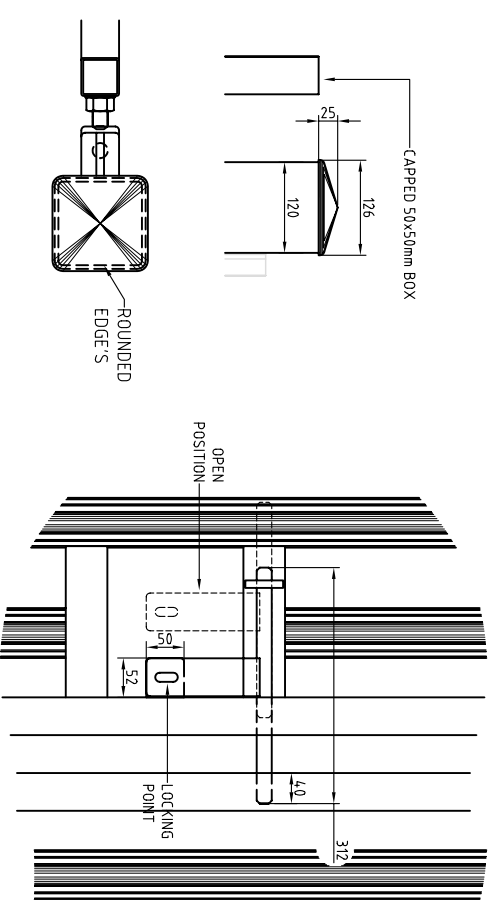


**NOTE:** OPTIONAL PALE TYPES AVAILABLE. See fencing Drawings Details



Drawing Title: Typical JNC Pal Gate H2.4 : W4.0M FOR INFORMATION ONLY	
Project/	SAMPLE DRAWING
Client:	
Drawing/Doc.No	Ref. No. -PG14
Date: 05/11/02	By: D.D.S. App: JNC FENCING



**J.N.CUMMINS & CO.LTD**  
Industrial Fencing Contractors  
Supply / Supply and Erection  
Mayfield, Cashel, Co Tipperary  
Tel: 00353 62 62214 Fax: 00353 62 62947  
e-Mail: info@jncfencea.com  
www.jncfencea.com