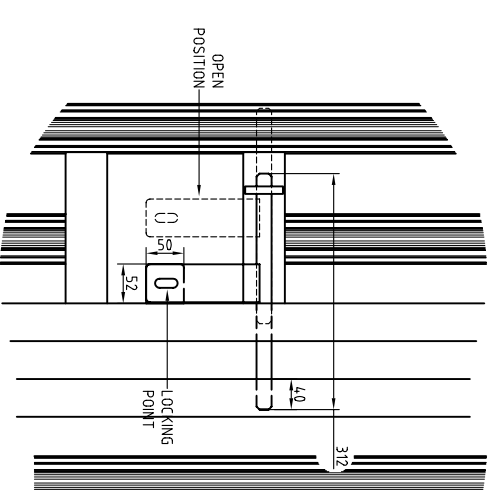
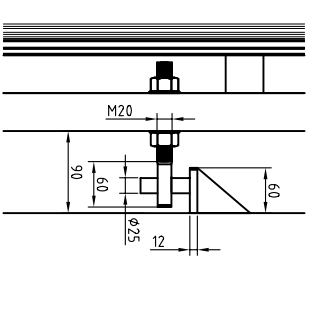


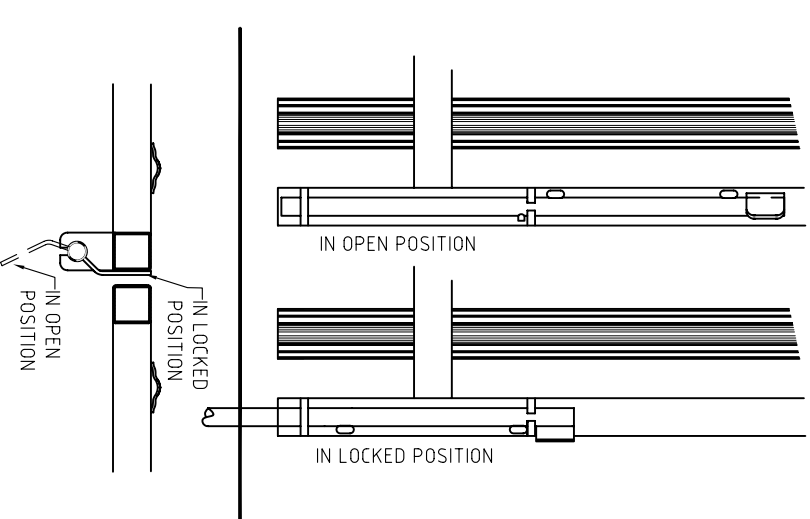
POST CAP DETAIL
scale 1/10



LOCK DETAIL
scale 1/10



HINGE DETAIL
scale 1/10



LOCK DETAIL
scale 1/10

NOTE: OPTIONAL PALE TYPES AVAILABLE. See fencing Drawings Details

| | |
|-----------------|----------------------------------|
| Drawing Title: | Typical JNC Pal Gate H2.4: W6.0M |
| Project/ | FOR INFORMATION ONLY |
| Client: | SAMPLE DRAWING |
| Drawing/Doc No: | Ref. No. -PG16 |
| Date: | 05/11/02 |
| By: | D.D.S. |
| App: | JNC FENCING |



J.N. CUMMINS & CO.LTD
Industrial Fencing Contractors
Supply / Supply and Erection
Mayfield, Cashel, Co Tipperary
Tel: 00353 62 62214 Fax: 00353 62 62947
e-Mail: info@jncfence.com
www.jncfence.com