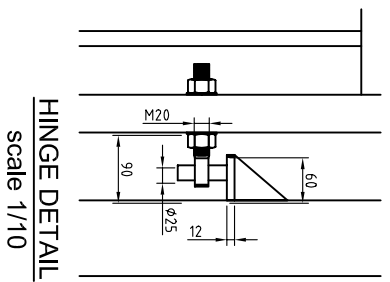
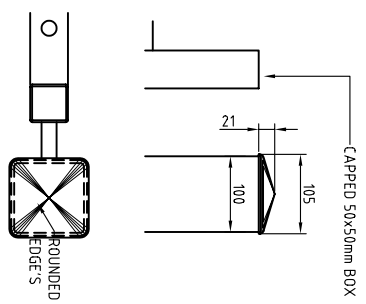
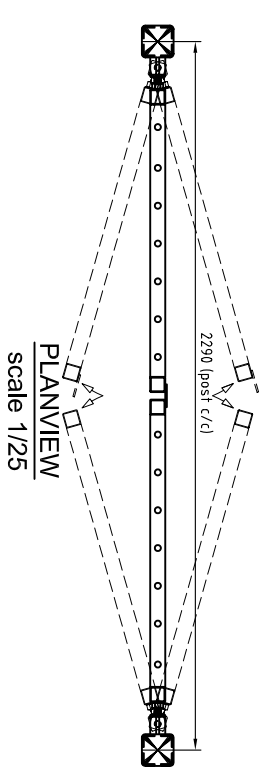
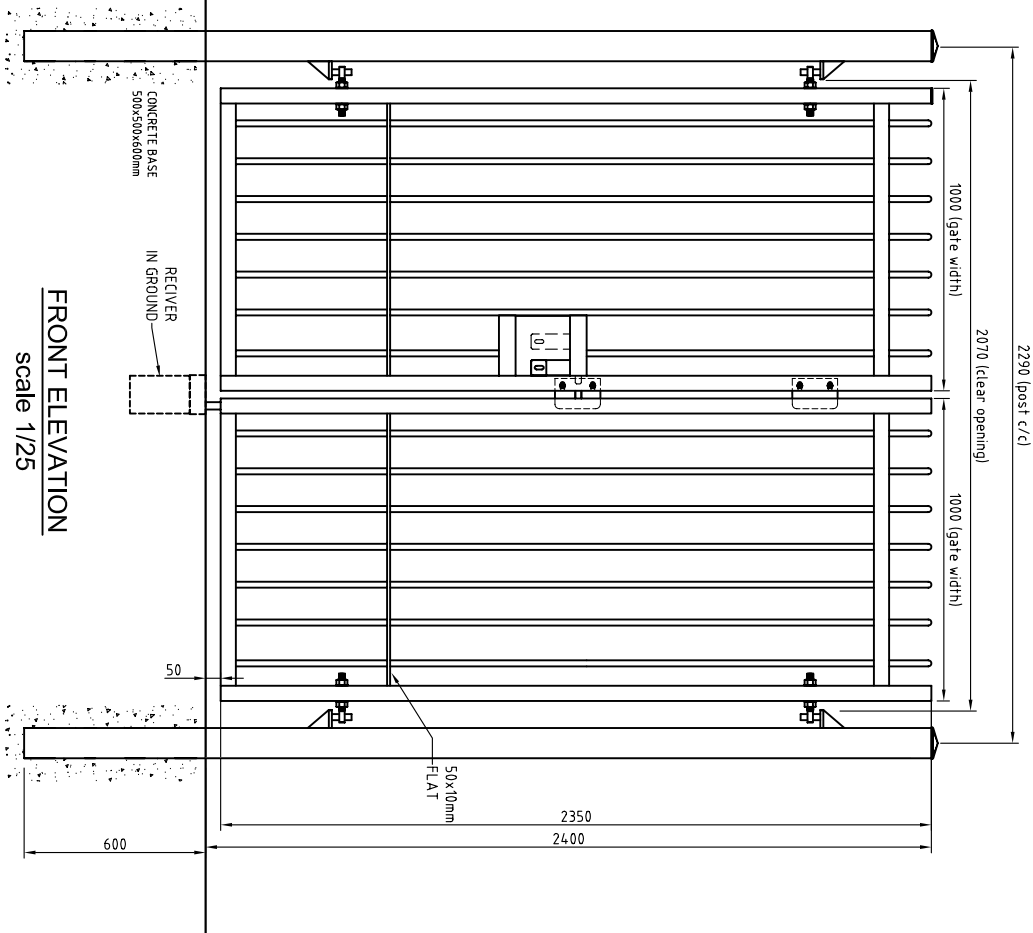
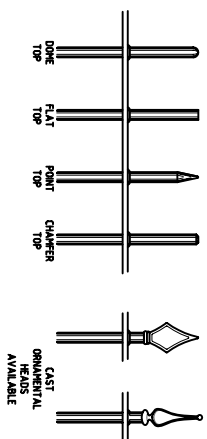


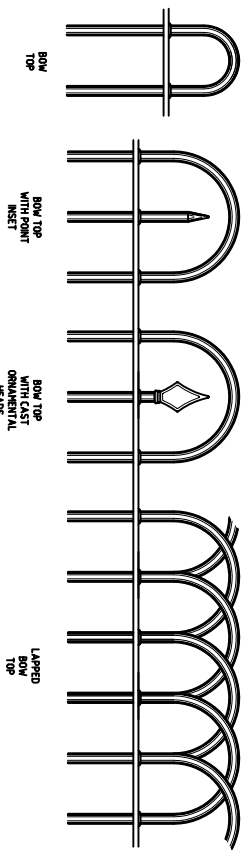
IMPORTANT: NOTE: SAMPLE DRAWING ONLY ACTUAL DIMENSION MAY CHANGE. DO NOT SCALE



POST CAP DETAIL
scale 1/10



Optional Point Styles
INFILL BARS AVAILABLE IN Ø12/16 & 20
scale NTS



Drawing Title: Typical JNC Rail Gate H2.4 : W2.0M FOR INFORMATION ONLY	
Project/Client:	SAMPLE DRAWING
Drawing/Doc/No	Ref No. RG32
Date: 05/11/02	By: D.D.S. App: JNC FENCING

J.N.CUMMINS & Co. LTD
Industrial Fencing Contractors
Supply / Supply and Erection
Mayfield, Cashel, Co Tipperary
Tel: 00353 62 62214 Fax: 00353 62 62947
e-Mail: info@jncfence.com
www.jncfence.com