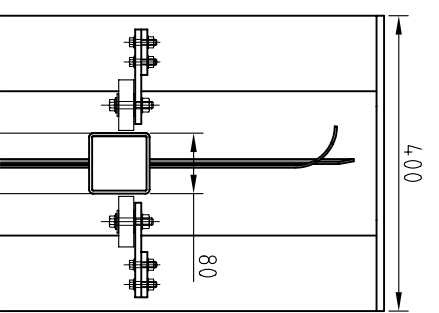
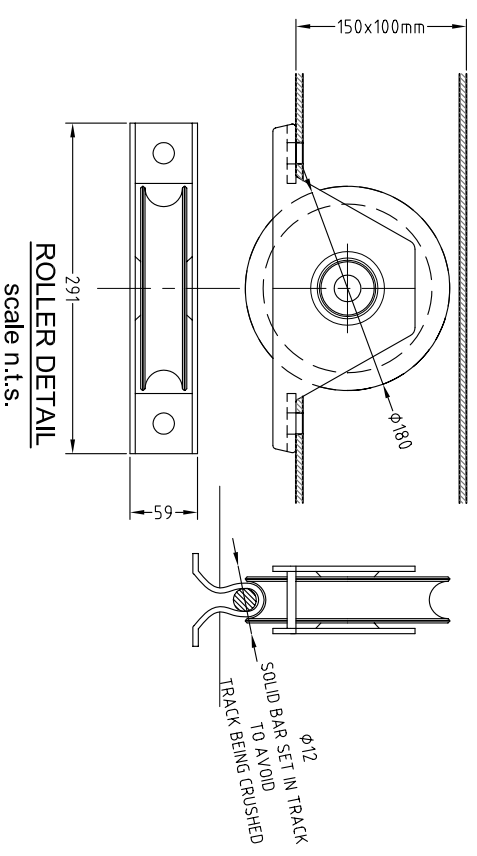


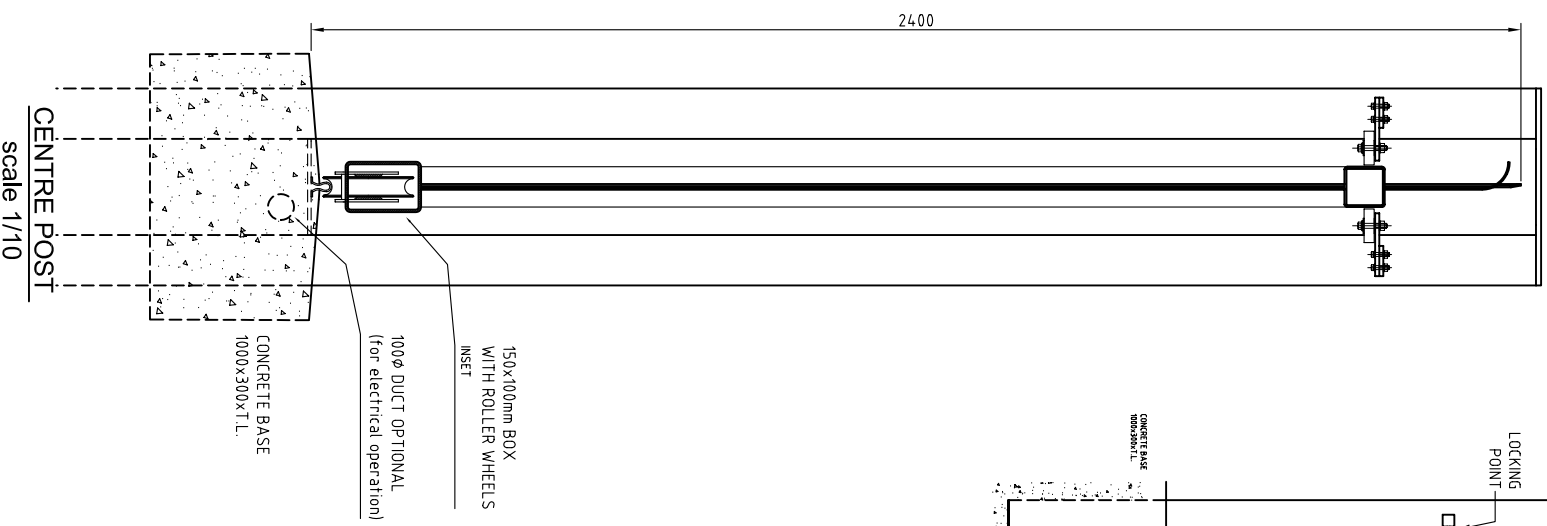
GUIDE ROLLER DETAIL
scale 1/10



FRONT ELEVATION
scale n.t.s.



ROLLER DETAIL
scale n.t.s.



CENTRE POST
scale 1/10

Drawing Title:	Typical JNC Pal Roller Gate
Project:	OPÉ 4.0 GATE- 4.6M (h-2.4M)
Client:	SAMPLE DRAWING FOR INFORMATION ONLY
Drawing/Doc No:	Ref. No. SG13
Date:	26/11/02
By:	D.D.S.
App:	JNC FENCING



J.N.CUMMINS & CO.LTD
Industrial Fencing Contractors
Supply / Supply and Erection
Mayfield, Cashel, Co Tipperary
Tel: 00353 62 62214 Fax: 00353 62 62947
e-Mail: info@jncfencing.com
www.jncfencing.com