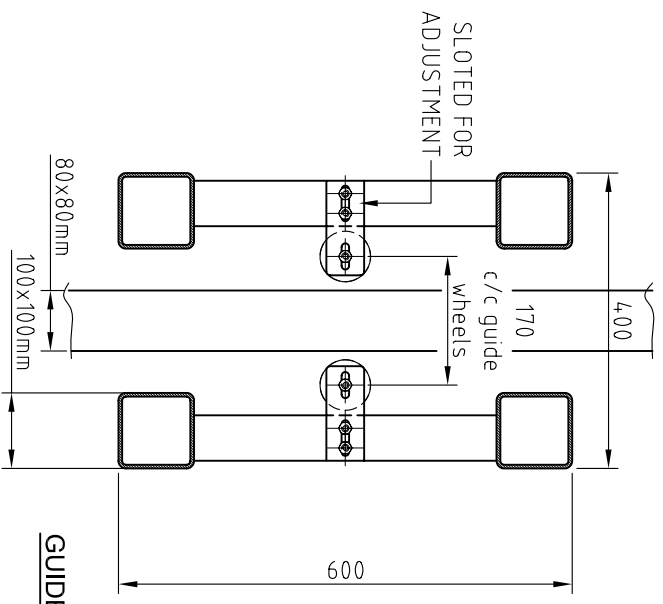
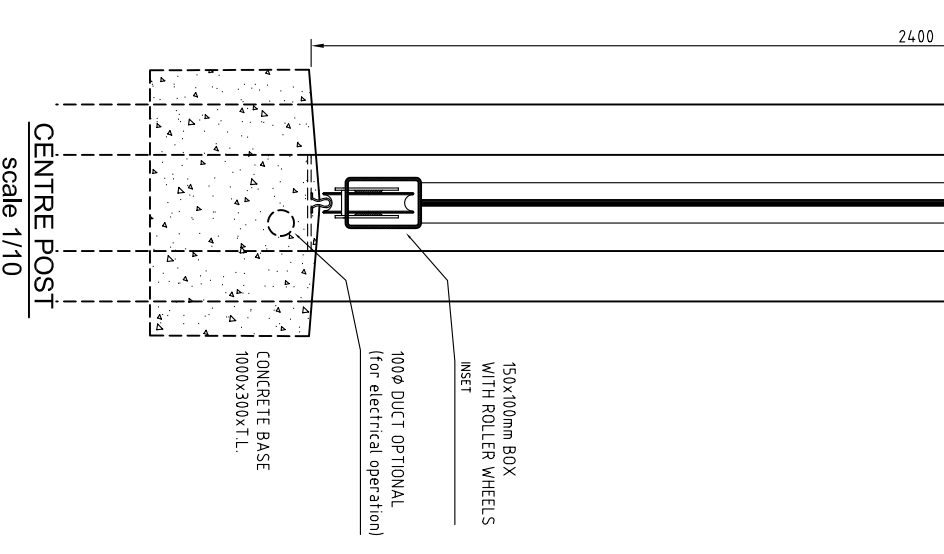
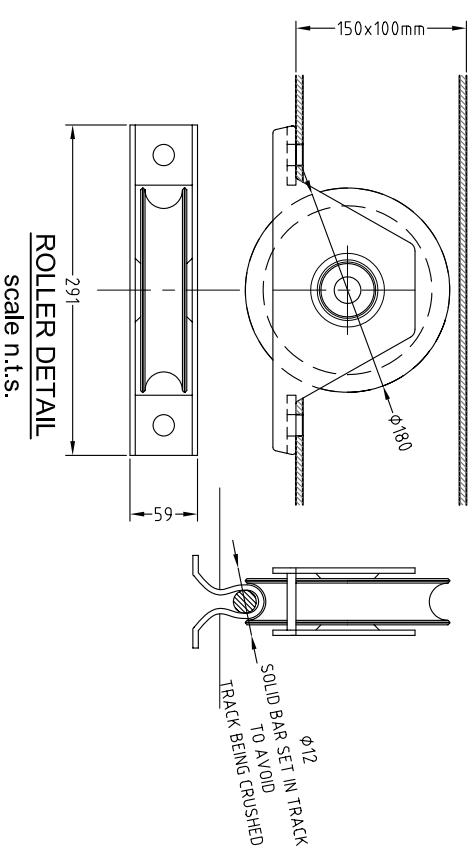
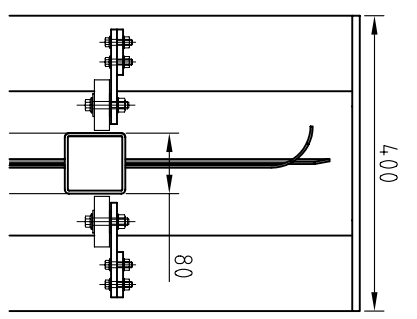


**FRONT ELEVATION**  
scale n.t.s.

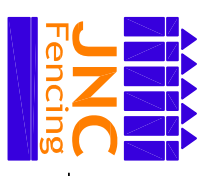


**GUIDE ROLLER DETAIL**  
scale 1/10



**ROLLER DETAIL**  
scale n.t.s.

Drawing Title:	Typical JNC Pal Roller Gate
Project/	OPF 9.0 GATE-9.6M (h-2.4M)
Client:	SAMPLE DRAWING FOR INFORMATION ONLY
Drawing/Doc.No:	Ref. No. SG18
Date:	26/11/02
By:	D.D.S.
App:	JNC FENCING



**J.N.CUMMINS & CO.LTD**  
Industrial Fencing Contractors  
Supply / Supply and Erection  
Mayfield, Cashel, Co Tipperary  
Tel: 00353 62 62214 Fax: 00353 62 62947  
e-Mail: info@jncfence.com  
www.jncfence.com